

Technical sheet

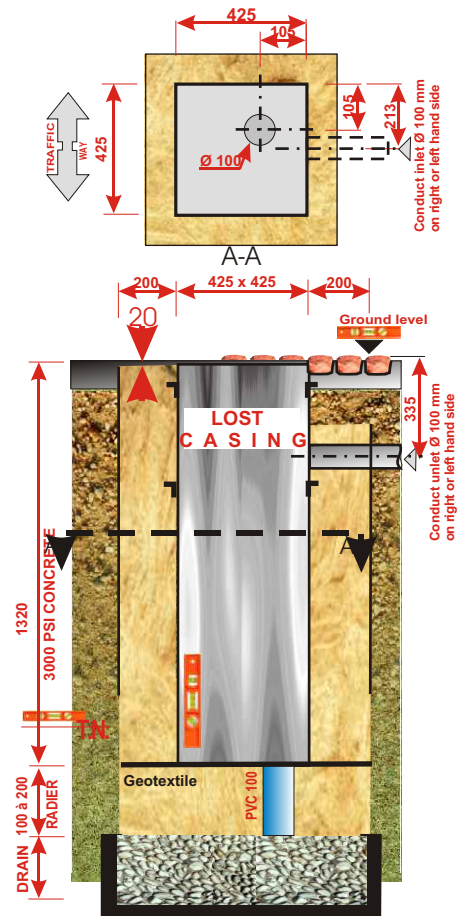
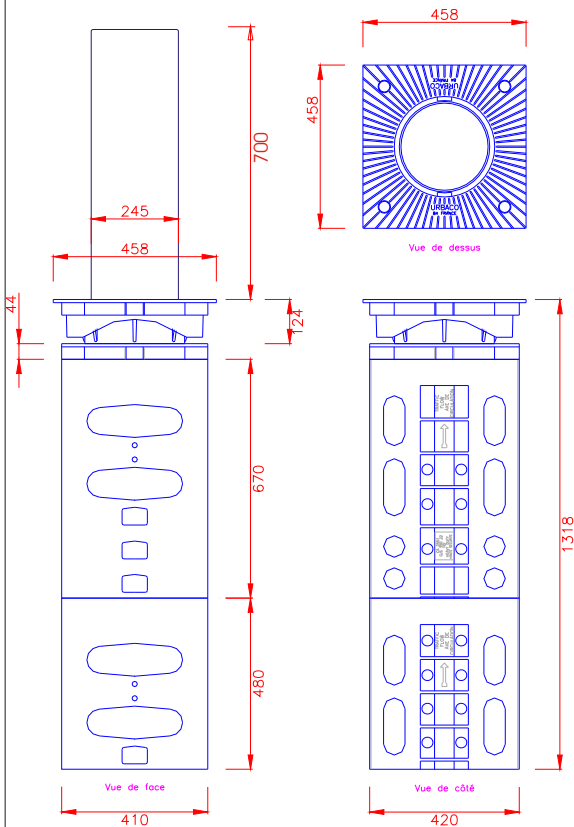
HIGH SECURITY PNEUMATIC AUTOMATIC OR HYDRAULIC RETRACTABLE BOLLARD
CYLINDER Model Ø 250/10",H 700/28" ou 900/36" Stainless steel

- Ref. BHCLPF70HI
- Ref. BHCLPF90HI
- Ref. BPCLPF70HI
- Ref. BPCLPF90HI



7-ton vehicle driving at 48 km/h destroyed after impact with 3 bollards (under supervision of US State Department)

Impact resistance	Tested durability	Weight
15,000 joules	4,5Million operation cycles	290 à 350 Kg
Material	Thickness	Colors
steel E24 + Stainless steel 316L	20 mm steel + 2 mm stainless steel	Standard URBACO paint RAL colors (optional)
Fittings	Functioning	
- Lower limit switch (+ Upper limit switch hydraulic). - I.P.67 air distribution set hydraulic or pneumatic	According to PLC program The user will lower the bollard with a proximity card, remote control, radio beeper, etc. The bollard will automatically or manually rise again	



Z.A. Du Couquiou - 84320 ENTRAIGUES - FRANCE
 Tél. : (33) 04 90 48 08 08 - Fax : (33) 04 90 48 00 88
 e-mail : urbaco@urbaco.fr

NOTA: drain connected to sewage or rainwater pipes
INSTALLATION DRAWING
 for lost casing ref. BOCOFF1300

Technical Data Sheet

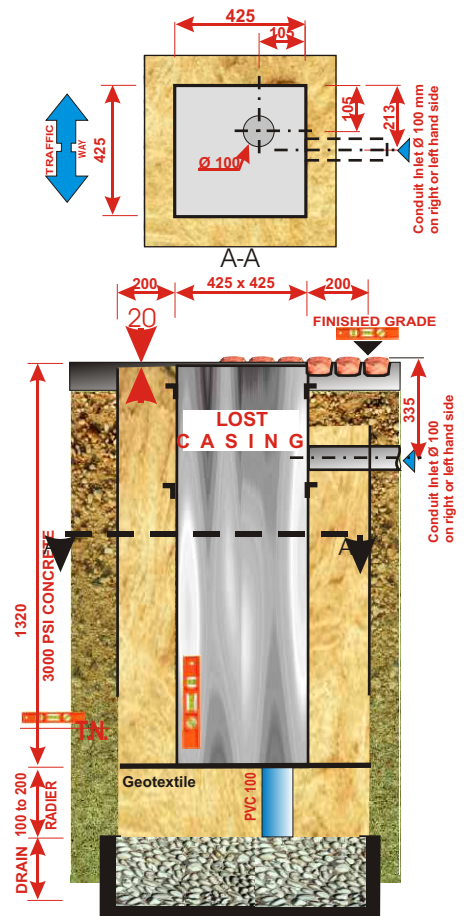
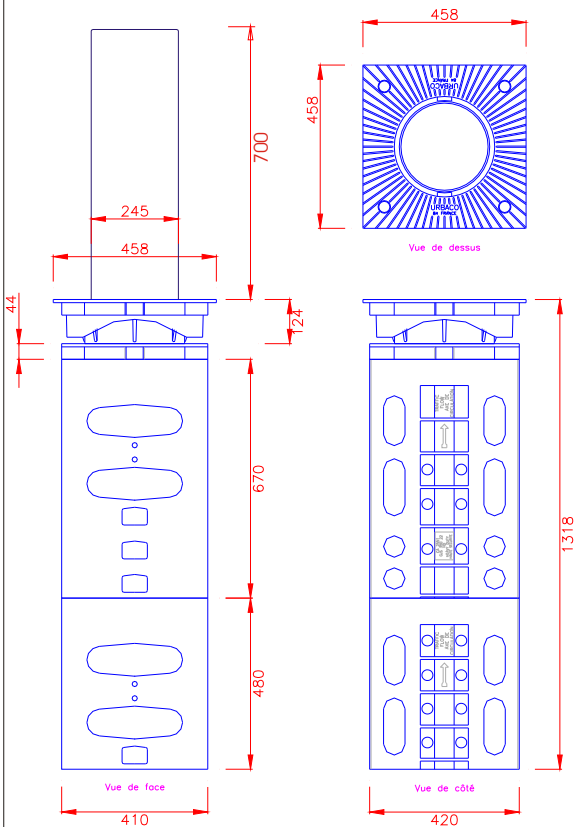
HIGH SECURITY PNEUMATIC AUTOMATIC RETRACTABLE BOLLARD
CYLINDER Model Ø 250/10", Height 700/28"

Ref.# BPCLPF70H



7-ton vehicle driving at 48 km/h, destroyed after impact with 3 bollards (under supervision of US State Department)

Impact resistance	Tested durability	Weight
15,000 joules	4,5Million operation cycles	261 Kg/575.41 lb
Material	Thickness	Colors
Steel	20 mm/0.8"	Standard URBACO paint RAL colors (optional)
Fittings		Functioning
<ul style="list-style-type: none"> - Lower limit switch. - I.P. 67 air distribution set (with valve 25m/27.3 yrs air tube and connections). 		According to PLC programm. The user will lower the bollard with a proximity card, remote control, beeper, etc.). The bollard will automatically or manually rise again.



Z.A. Du Couquiou - 84320 ENTRAIGUES - FRANCE
 Tél. : (33) 04 90 48 08 08 - Fax : (33) 04 90 48 00 88
 e-mail : urbaco@urbaco.fr

NOTE: drain connected to sewage or rainwater pipes
INSTALLATION DRAWING
 Lost casing ref. # BOCOFF1300

Technical Data Sheet

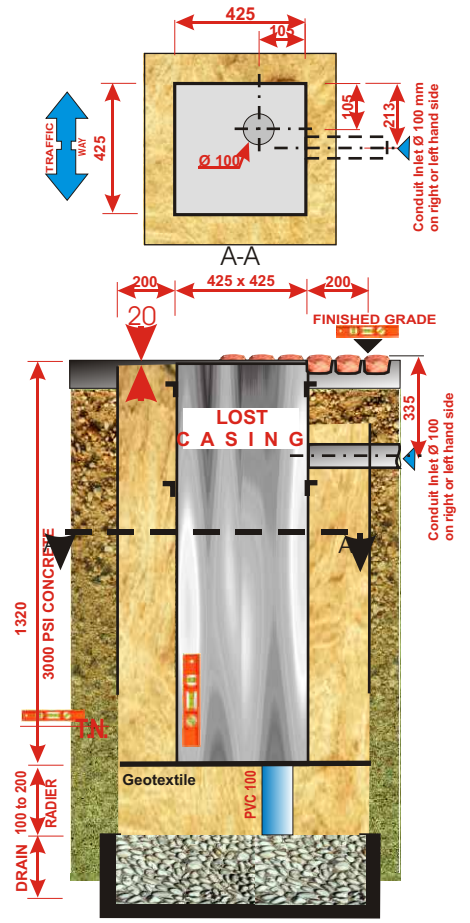
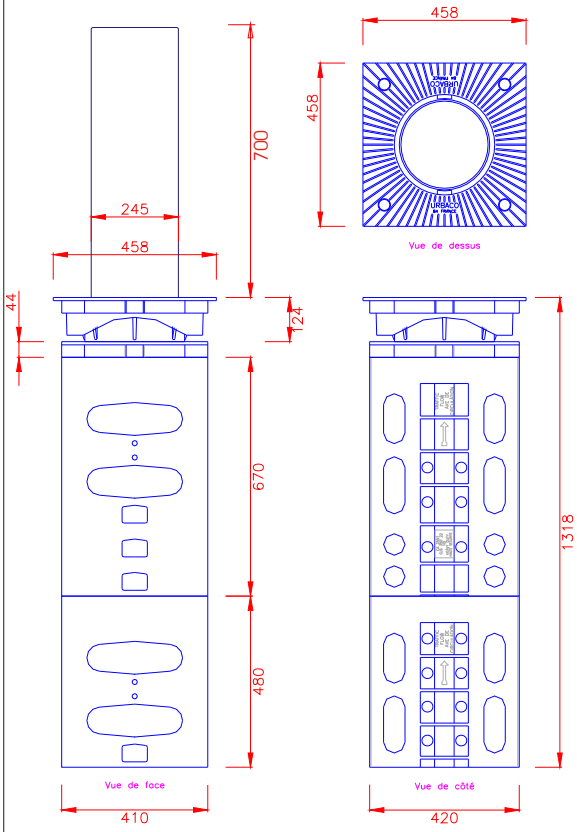
HIGH SECURITY PNEUMATIC AUTOMATIC RETRACTABLE BOLLARD
CYLINDER Model Ø 250/10", Height 700/28"

Ref.# BPCLPF70H



7-ton vehicle driving at 48 km/h, destroyed after impact with 3 bollards (under supervision of US State Department)

Impact resistance	Tested durability	Weight
15,000 joules	4,5Million operation cycles	261 Kg/575.41 lb
Material	Thickness	Colors
Steel	10 mm/0.8"	Standard URBACO paint RAL colors (optional)
Fittings		Functioning
<ul style="list-style-type: none"> - Lower limit switch. - I.P. 67 air distribution set (with valve 25m/27.3 yrs air tube and connections). 		According to PLC programm. The user will lower the bollard with a proximity card, remote control, beeper, etc.). The bollard will automatically or manually rise again.



Z.A. Du Couquiou - 84320 ENTRAIGUES - FRANCE
 Tél. : (33) 04 90 48 08 08 - Fax : (33) 04 90 48 00 88
 e-mail : urbaco@urbaco.fr

NOTE: drain connected to sewage or rainwater pipes
INSTALLATION DRAWING
 Lost casing ref. # BOCOFF1300